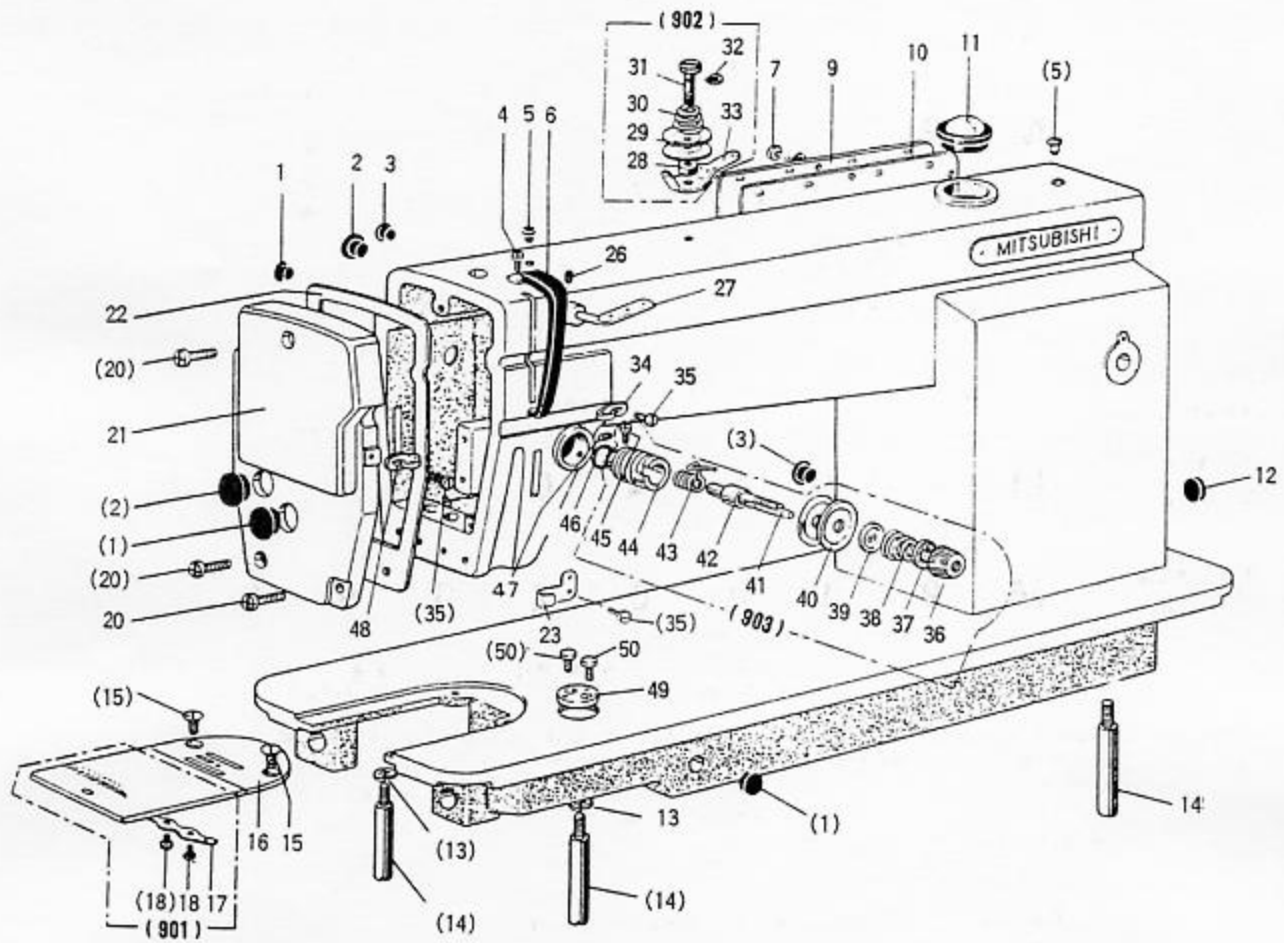


A 本体関係
 ARM BED & IT'S ACCESSORIES

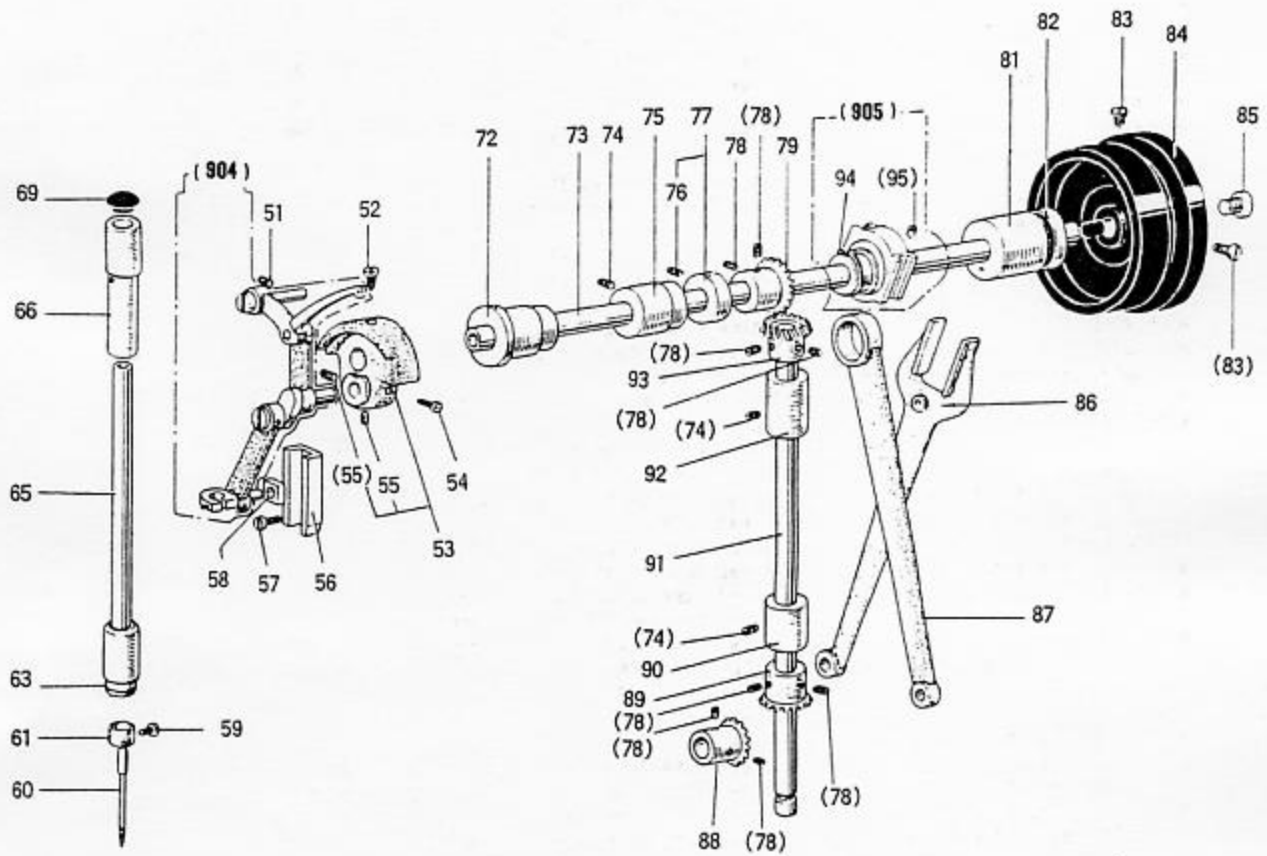


A 本体関係

ARM BED & IT'S ACCESSORIES

| Fig. 変更 部品コード | | 部品名 | Description | 使用個数 |
|---------------|-----------|--------------|--------------------------------------|-----------|
| No. Mod. | Parts.No. | | | Amt. Reg. |
| A1 | M91182080 | ゴム止 | Rubber plug(φ11.8) | 3 |
| A2 | M91900080 | ゴム止 | Rubber plug(φ19.0) | 2 |
| A3 | M90883080 | ゴム止 | Rubber plug(φ8.8) | 2 |
| A4 | M91116004 | ブレイクネジ | Screw 11/64(40)X8 | 1 |
| A5 | M90573080 | ゴム止 | Rubber plug(φ5.7) | 2 |
| A6 | MN36A0584 | スレッドカバー | Thread take-up cover | 1 |
| A7 | M91109004 | サカネツキブレイクネジ | Screw 11/64(40)X8 | 8 |
| A9 | MF30A0880 | ヨコフタ | Arm side cover | 1 |
| A10 | MF05A0691 | ガスケット | Gasket | 1 |
| A11 | MF20A0135 | オイルラマト | Oil check window | 1 |
| A12 | M92701080 | ゴム止 | Rubber plug(φ27.0) | 1 |
| A13 | M90625053 | ハネサカネ | Spring washer for leg 6 | 2 |
| A14 | MF30A0426 | ササ | Leg | 3 |
| A15 | M91106011 | マルチラネジ | Screw 11/64(40)X8 | 2 |
| A16 | MF11D0101 | ハリタ | Needle plate(B1.6) | 1 |
| A17 | MF10A0471 | イハネ | Spring for slide plate | 1 |
| A18 | M90613002 | ヒラネジ | Screw 3/32(56)X2.2 | 2 |
| A20 | M91117004 | ブレイクネジ | Screw 11/64(40)X10 | 3 |
| A21 | MF01A0830 | メンタ | Face plate | 1 |
| A22 | MF01A1691 | ガスケット | Gasket for face plate | 1 |
| A23 | M050A0181 | イトアンナイ | Thread guide | 1 |
| A26 | M91108001 | トメネジ | Set screw 11/64(40)X5.5 | 1 |
| A27 | MF10A0180 | イトアンナイ | Three hole thread guide | 1 |
| A28 | MF30A0476 | スペーサ | Spacer for pre-tension | 1 |
| A29 | MF10A1555 | チヨウシヤラ | Tension discs for pre-tension | 2 |
| A30 | MF20A0245 | エンスイバネ | Tension spring for pre-tension | 1 |
| A31 | M91104016 | マルチラネジ タンツキ | Screw type tension stud 11/64(40)X16 | 1 |
| A32 | M90512065 | Eカタメワ | E-type stop ring 3 | 1 |
| A33 | MF70A0180 | イトアンナイ | Thread guide for pre-tension | 1 |
| A34 | MF80A0181 | イトアンナイ | Thread guide | 1 |
| A35 | M90909003 | マルチラネジ | Screw 9/64(40)X6 | 3 |
| A36 | M91605045 | ツマミネジ | Thumb nut | 1 |
| A37 | MT60A0802 | マワリトメ | Thumb net revolution stopper | 1 |
| A38 | MN10A3245 | エンスイバネ | Thread tension spring | 1 |
| A39 | MN11A0556 | チヨウシヤラオサエ | Thread tension releasing discs | 1 |
| A40 | MF10A0555 | チヨウシヤラ | Thread tension discs | 2 |
| A41 | M90204060 | ピン | Thread tension releasing pin | 1 |
| A42 | MF10A0553 | チヨウシヤラ | Thread tension stud | 1 |
| A43 | MF10A0187 | イトトリバネ | Thread take-up spring | 1 |
| A44 | MF10A0709 | ブッシュ | Thread tension regulating bushing | 1 |
| A45 | M90901002 | ヒラネジ | Screw 9/64(40)X4 | 1 |
| A46 | M91501085 | Oリング NOK S15 | Rubber ring NOK S15 | 1 |
| A47 | M91508001 | トメネジ | Set screw 15/64(28)X6 | 1 |
| A48 | MF10A0181 | イトアンナイ | Thread guide | 1 |
| A49 | MF01A0601 | トリツケイタ | Plate for guide | 1 |
| A50 | M91107002 | ヒラネジ | Screw 11/64(40)X5.5 | 2 |
| A901 | MF30E0470 | スベリイタクミタテ | Slide plate complete | 1 |
| A902 | MF70E0550 | チヨウセツキカミタテ | Pre-Tension complete | 1 |
| A903 | MF30E0210 | チヨウセツキカミタテ | Thread tension regulator complete | 1 |

B 縫い機構(I)
 SEWING MECHANISM (I)

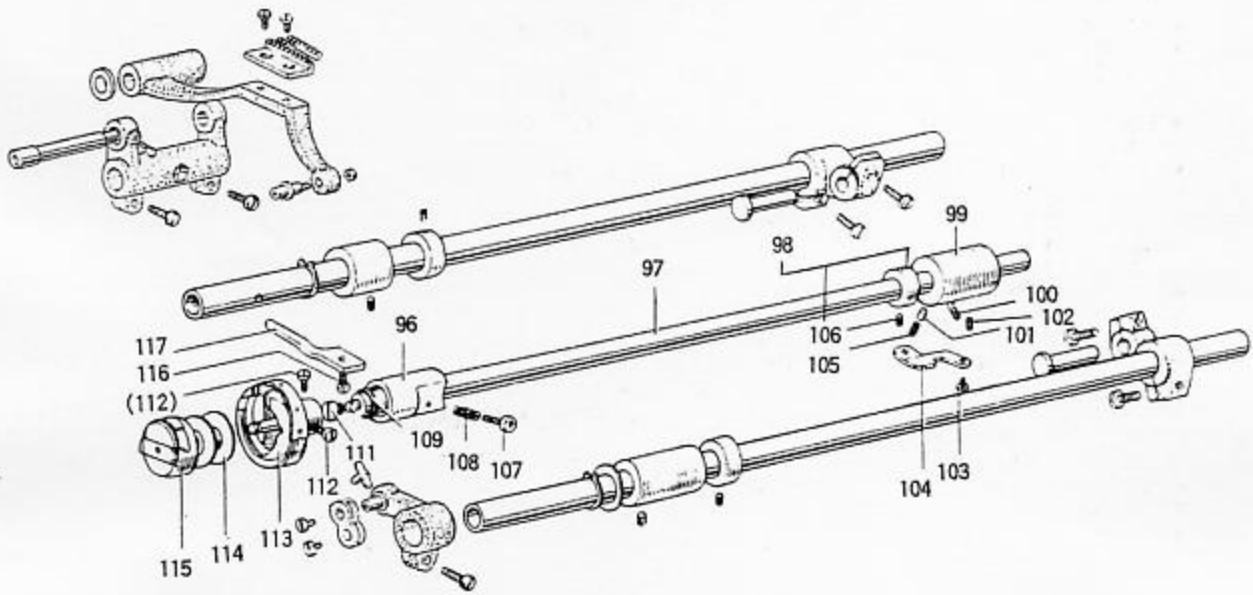


② 縫い機構 (I)

SEWING MECHANISM (I)

| Fig. 変更 No. Mod. | 部品コード Parts.No. | 部品名 | Description | 使用個数 Amt. Reg. |
|---------------------|--------------------|-------------------|--------------------------------------|-------------------|
| B51 | M91513001 | トメネジ | Set screw 15/64(28)X10 | 1 |
| B52 | M91802006 | ヒラネジ ねうサキ | Screw 9/32(28)X14 | 1 |
| B53 | MF90A0383 | クランククミタテ | Crank | 1 |
| B54 | M91801002 | ヒラネジ | Set screw 9/32(28)X13 | 1 |
| B55 | M91606001 | トメネジ | Set screw 1/4(40)X6 | 2 |
| B56 | MF80A0662 | アソナイイ | Needlebar connecting link guide | 1 |
| B57 | M91110002 | ヒラネジ | Screw 11/64(40)X8 | 2 |
| B58 | MF30A0325 | カクコ | Square block | 1 |
| B59 | M90815002 | ヒラネジ | Screw 1/8(44)X4.5 | 1 |
| B60 | MF70A0128 | ミシンハリ DBX1-14 | Needle set DBX1 #14 | 1 |
| B61 | MF05A0181 | イトアソナイ | Thread guide | 1 |
| B63 | MF10A0664 | ハリネウメタルシタ | Needle bar bushing(lower) | 1 |
| B65 | MF30A0660 | ハリネウメタルシタ | Needle bar | 1 |
| B66 | MF70A0663 | ハリネウメタルウエ | Needle bar bushing(upper) | 1 |
| B69 | M90884080 | ゴムセ | Rubber plug(φ8.8) | 1 |
| B72 | MF80A0232 | ウツジクメタルヒタリ | Bushing for arm shaft(left) | 1 |
| B73 | MF85A0230 | ウツジクメタルシタ (ゴムセツキ) | Arm shaft | 1 |
| B74 | M91513001 | トメネジ | Set screw 15/64(28)X10 | 3 |
| B75 | MF05A0234 | ウツジクメタルナカ | Bushing for arm shaft(middle) | 1 |
| B76 | M91602001 | トメネジ | Set screw 1/4(40)X4 | 2 |
| B77 | MF80A0352 | カラクミタテ | Collar | 1 |
| B78 | M91632001 | トメネジ | Set screw 1/4(40)X7 | 8 |
| B79 | MF40A0331 | ウツジクカサハグマ | Bevel gear for arm shaft | 1 |
| B81 | MF01A0233 | ウツジクメタルヒタリ | Bushing for arm shaft(right) | 1 |
| B82 | M91472086 | オイルシール 91A-1192-R | Oil seal for arm shaft(right) | 1 |
| B83 | M91502002 | ヒラネジ | Set screw 15/64(28)X12 | 2 |
| B84 | MF30A0682 | フリ | Pulley | 1 |
| B85 | M92201003 | マヒラネジ | Screw 11/32(28)X10 | 1 |
| B86 | MF30A0744 | フタマタロフト | Feed forked connecting rod | 1 |
| B87 | MF70A0384 | クランク | Crank rod | 1 |
| B88 | MF10A0332 | シタジクカサハグマ | Bevel gear for hook shaft | 1 |
| B89 | MF10A0334 | タテジクカサハグマシタ | Bevel gear for vertical shaft(lower) | 1 |
| B90 | MF70A0522 | タテジクメタルシタ | Bushing for vertical shaft(lower) | 1 |
| B91 | MF30A0520 | タテジク | Vertical shaft | 1 |
| B92 | MF00A0521 | タテジクメタルウエ | Bushing for vertical shaft(upper) | 1 |
| B93 | MF40A0333 | タテジクカサハグマウエ | Bevel gear for vertical shaft(upper) | 1 |
| B94 | M90320065 | C ｶﾞﾀトメウ ジクヨウ 20 | C-type stop ling 20 | 1 |
| B95 | M91506001 | トメネジ | Set screw 15/64(28)X7 | 2 |
| B904 | MF05E0580 | テンピンハリククミタテ | Thread take-up lever complete | 1 |
| B905 | MF30E0280 | ハンシンランクミタテ | Feed cam complete | 1 |

㊦ 縫い機構(Ⅱ)
SEWING MECHANISM (Ⅱ)

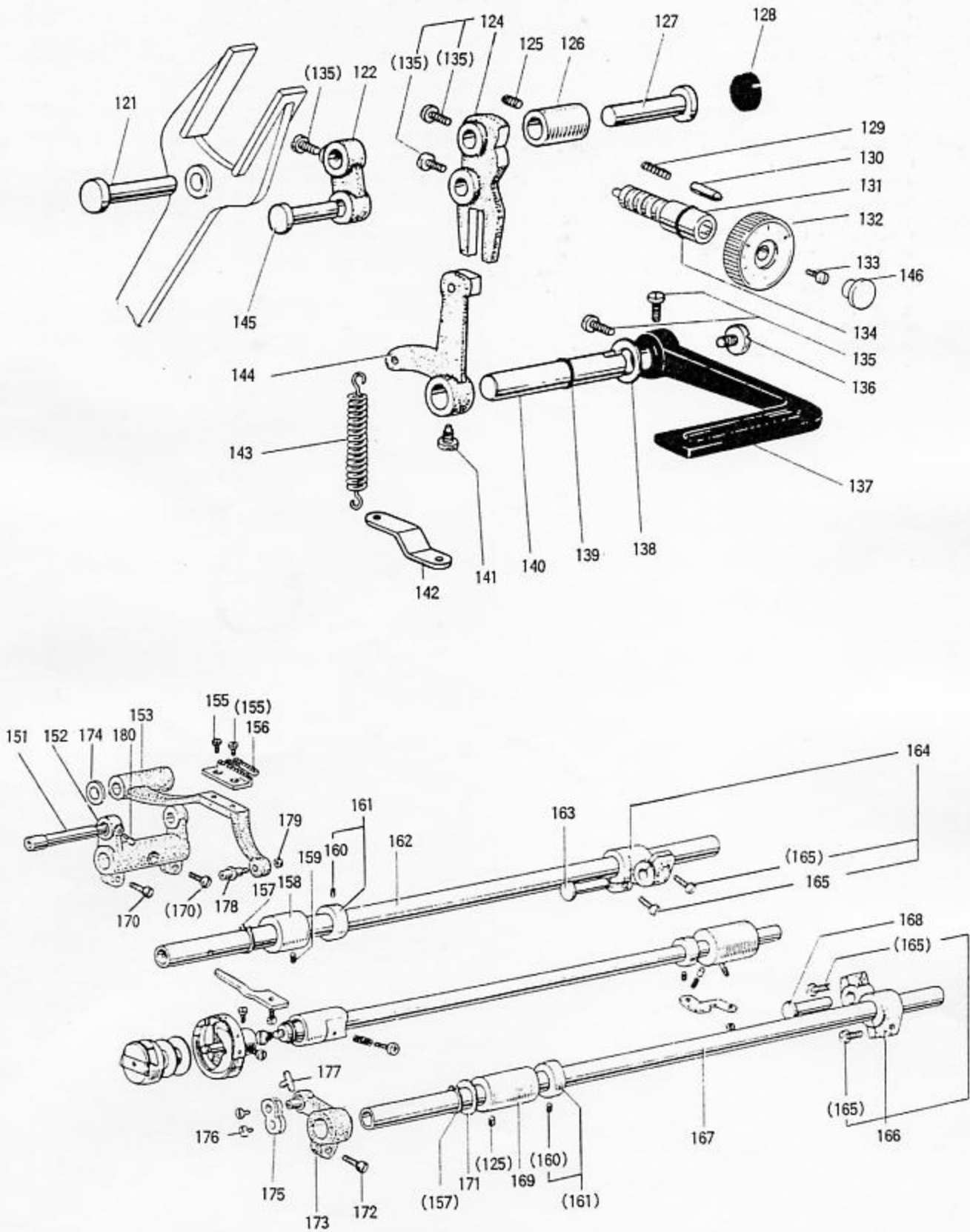


㊦ 縫い機構(Ⅱ)

SEWING MECHANISM (Ⅱ)

| Fig. 変更 No. Mod. | 部品コード Parts.No. | 部品名 | Description | 使用個数 Amt. Reg. |
|---------------------|--------------------|----------------|-------------------------------|-------------------|
| C96 | MF80A0451 | シタジクメタルヒタリ | Bushing for hook shaft(left) | 1 |
| C97 | MF30A0450 | シタジク | Rotating hook shaft | 1 |
| C98 | MF30A0352 | カラークミタテ | Collar | 1 |
| C99 | MF00A0452 | シタジクメタルミキ | Bushing for hook shaft(right) | 1 |
| C100 | MF80A0688 | パイプ | Pipe | 1 |
| C101 | MF00A0753 | プランジャー | Plunger | 1 |
| C102 | M91513001 | トメネジ | Set screw 15/64(28)X10 | 1 |
| C103 | M91515002 | ヒラネジ | Screw 15/64(28)X10 | 1 |
| C104 | MF30A0154 | アソナイタ | Guide plate | 1 |
| C105 | MF00A0572 | スプリング | Spring | 1 |
| C106 | M91503001 | トメネジ | Set screw 15/64(28)X4.5 | 2 |
| C107 | M97084030 | トクシユネジ | Oil adjusting screw | 1 |
| C108 | MF80A1572 | スプリング | Spring | 1 |
| C109 | M90803086 | オイルシール | Oil seal | 1 |
| C111 | M91259030 | トクシユネジ フエルクミタテ | Special screw | 1 |
| C112 | M91101002 | ヒラネジ | Set screw 11/64(40)X4 | 2 |
| C113 | MF16A0120 | カマクミタテ | Rotating hook | 1 |
| C114 | MF10A0123 | ボビン | Bobbin | 1 |
| C115 | MF30A0125 | ボビンケース | Bobbin case | 1 |
| C116 | M91118002 | ヒラネジ | Screw 11/64(40)X10 | 1 |
| C117 | MF30A0229 | ウチカマトメ | Rotating hook positioner | 1 |

D 送り機構
 FEED MECHANISM



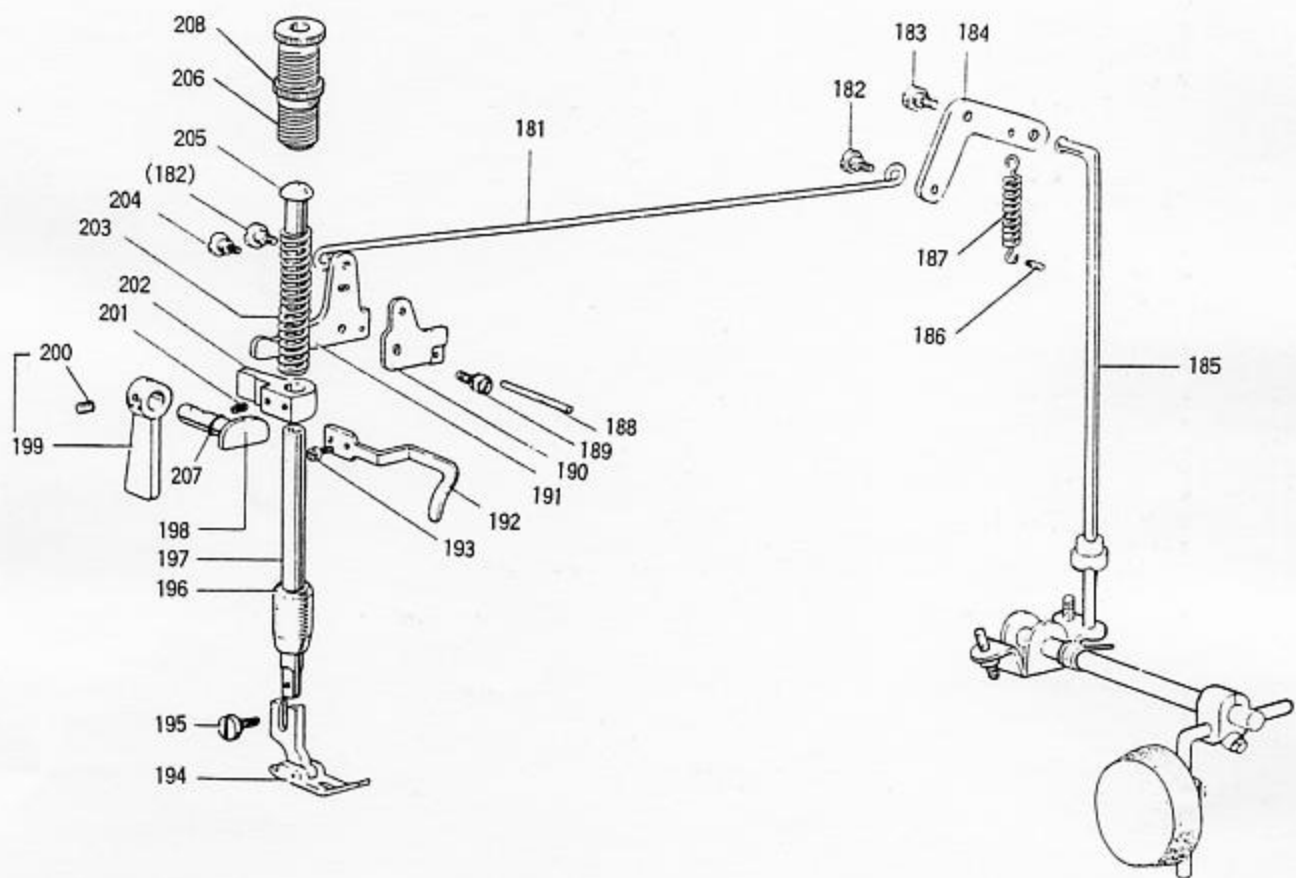
□ 送り機構

FEED MECHANISM

| Fig. 変更 No. Mod. | 部品コード Parts.No. | 部品名 | Description | 使用個数 Amt. Reg. |
|---------------------|--------------------|----------------------|--|-------------------|
| D121 | M90718063 | ダ'ングキシ'ク | Set pin | 1 |
| D122 | MF70A0153 | レンセツカシ | Feed connecting link | 1 |
| D124 | MF80A0152 | オカリヲヨウセツカム | Feed regulator | 1 |
| D125 | M91513001 | トメネジ | Set screw 15/64 (28)X10 | 2 |
| D126 | MF10A0750 | ブ'ブシ | Bushing for feed regulator | 1 |
| D127 | MF30A0530 | ダ'ングキシ'ク | Set pin | 1 |
| D128 | M92006080 | ゴ'ムセシ | Rubber plug(φ20) | 1 |
| D129 | MF05A0572 | フルマキハ'ネ | Spring | 1 |
| D130 | MF30A0852 | ピン | Stopper pin for stitch length regulator | 1 |
| D131 | MF60A1640 | オカリヲヨウセツネジ | Screw bar | 1 |
| D132 | MF05A2631 | ダ'イヤル | Dial for stitch length regulator(0-5) | 1 |
| D133 | M91209002 | ヒラネジ | Screw 3/16 (28)X8 | 1 |
| D134 | M91000085 | O リング 1AP10A | O-ring(φ10) (1AP10A) | 1 |
| D135 | M91515002 | ヒラネジ | Screw 15/64 (28)X10 | 5 |
| D136 | M91207003 | マ'ヒラネジ | Screw 3/16 (28)X6.5 | 1 |
| D137 | MF30A0632 | スイメカ'ンレバ' | Reverse sewing lever | 1 |
| D138 | M95003053 | ハ'ネサ'カ'ネ | Spring washer M10 | 1 |
| D139 | M90600085 | O リング 1AP6 | O-ring(φ6) (1AP6) | 1 |
| D140 | MF10A0633 | スイメカ'ンシ'ク | Shaft for reverse sewing lever | 1 |
| D141 | M91501007 | マ'ヒラネジ'ホ'ウサキ | Screw 15/64 (28)X14.5 | 1 |
| D142 | MF30A0708 | カケ'カ'ネ | Bracket for spring | 1 |
| D143 | MF10A0572 | フルマキハ'ネ | Spring | 1 |
| D144 | MF40E1635 | スイメカ'ンウテ'クミタテ | Reverse sewing crank complete | 1 |
| D145 | M90905063 | ダ'ングキシ'ン | Set pin for feed connecting link | 1 |
| D146 | M91184080 | ゴ'ムセシ | Rubber plug(φ10.8) | 1 |
| D151 | MF33A0283 | ダ'ングキシ'ク | Set pin | 1 |
| D152 | MF90A0278 | スィヘイオカリウテ'ヒタ'リ | Feed rock shaft crank(left) | 1 |
| D153 | MF05A1281 | オカリウ'イ | Feed bar | 1 |
| D155 | M90806002 | ヒラネジ | Screw 1/8 (44)X6 | 2 |
| D156 | MF10A0104 | オカリ | Feed dog | 1 |
| D157 | M90315065 | C'タ'トメウ'シ'クヨウ 15 | C-type stop ring 15 | 2 |
| D158 | MF70A1286 | オカリシ'クメタル | Bushing for feed rock shaft(left) | 1 |
| D159 | M91503001 | トメネジ | Set screw 15/64 (28)X4.5 | 1 |
| D160 | M91602001 | トメネジ | Set screw 1/4 (40)X4 | 4 |
| D161 | MF80A0352 | カラ'クミタテ | Collar | 2 |
| D162 | MF70A0491 | スィヘイオカリシ'ク | Feed rock shaft | 1 |
| D163 | M90904060 | ピン | Pin | 1 |
| D164 | MF70A0279 | スィヘイオカリウテ'ミキ' | Feed rock shaft crank(right) | 1 |
| D165 | M91204003 | マ'ヒラネジ | Screw 3/16 (28)X12 | 4 |
| D166 | MF70A0277 | シ'ヨウケ'オカリウテ'ミキ' | Feed lifting rock shaft crank(right) | 1 |
| D167 | MF30A0460 | シ'ヨウケ'オカリシ'ク | Feed lifting rock shaft | 1 |
| D168 | M90904060 | ピン | Pin | 1 |
| D169 | MF70A0286 | オカリシ'クメタル | Bushing for food lifting rock shaft(left) | 1 |
| D170 | M91204003 | マ'ヒラネジ | Screw 3/16 (28)X12 | 2 |
| D171 | M91502050 | サ'ガ'ネ | Washer | 1 |
| D172 | M91112002 | ヒラネジ | Screw 11/64 (40)X12 | 1 |
| D173 | MF05A1276 | シ'ヨウケ'オカリウテ'ヒタ'リクミタテ | Crank complete for feed lifting rock shaft | 1 |
| D174 | M90619050 | サ'ガ'ネ | Washer | 1 |
| D175 | MF05A0910 | リンク | Link | 1 |
| D176 | M90942003 | マ'ヒラネジ | Screw 9/64 (40)X6.5 | 2 |
| D177 | MF05A0780 | ホルダ' | Holder | 1 |
| D178 | M91257030 | トクシユネジ | Screw | 1 |
| D179 | M91252045 | ナット | Nut 3/16 (32)X3.5 | 1 |
| D180 | M91110002 | ヒラネジ | Screw 11/64 (40)X8 | 1 |

MCS

Ⓔ 押え機構
PRESSER FOOT MECHANISM

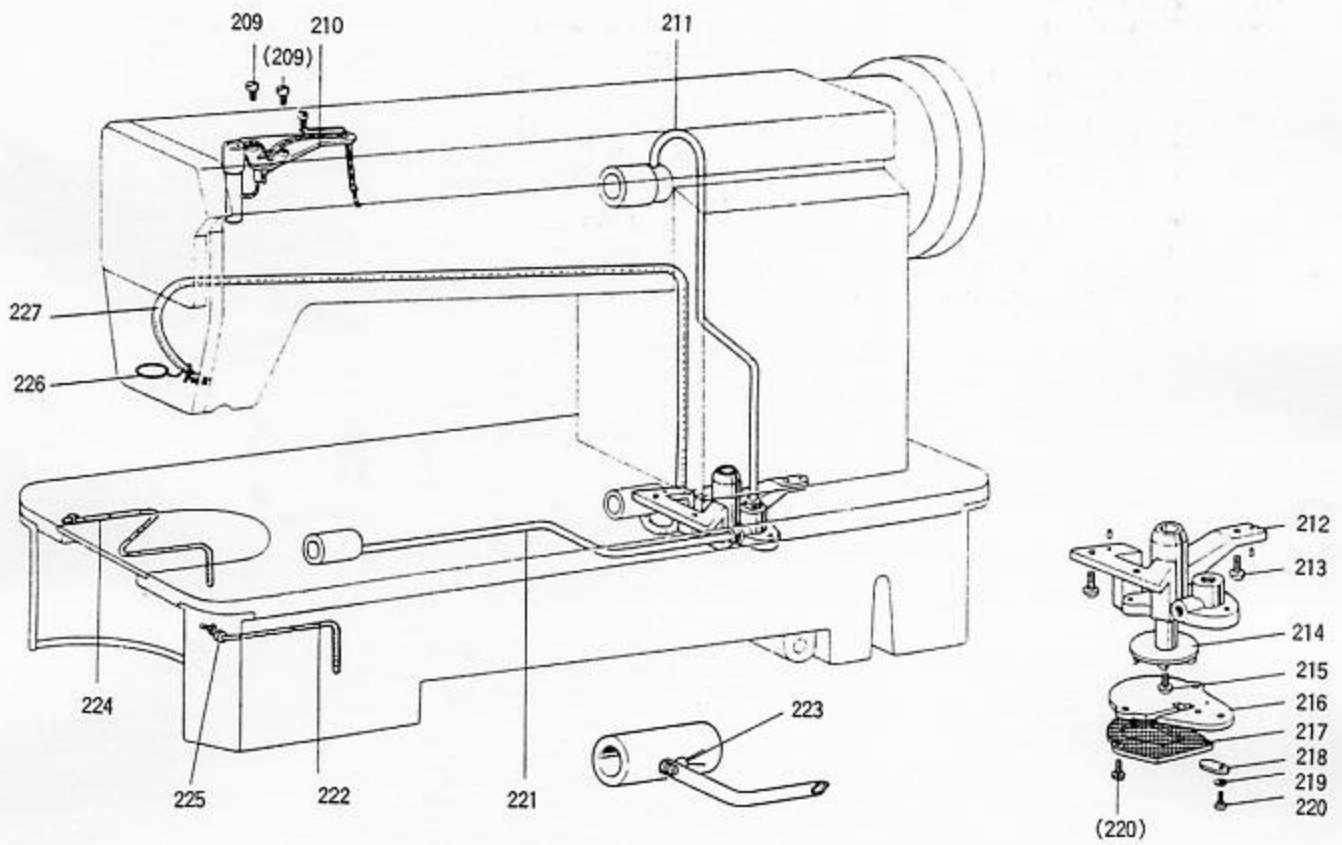


E 押え機構

PRESSER FOOT MECHANISM

| Fig. 変更 No. Mod. | 部品コード Parts.No. | 部品名 | Description | 使用個数 Amt. Reg. |
|---------------------|--------------------|-----------|--------------------------------|-------------------|
| E181 | MF30A0738 | ヒキ棒 | Knee lifter rod | 1 |
| E182 | M91219015 | ヒラネジ タンクキ | Hinged screw 3/16(28)X7 | 2 |
| E183 | M91503031 | ボルト | Bolt for knee lifter lever | 1 |
| E184 | MF30A0252 | オサエアケレバ | Knee lifter lever(right) | 1 |
| E185 | MF70A0511 | ソウサボウ | Knee lifter connecting rod | 1 |
| E186 | M95003067 | ミソツキピン BX | Pin(BX-Type) (φ5X24) | 1 |
| E187 | MF30A0572 | スプリング | Spring for knee lifter lever | 1 |
| E188 | M90419060 | イトムメピン | Tension releasing pin(φ4X37.5) | 1 |
| E189 | M91515022 | ボルト | Bolt 15/64(28)X13.5 | 1 |
| E190 | MF70A0350 | イトムメカム | Tension releasing cam | 1 |
| E191 | MF70A2950 | オサエアケレバ | Knee lifter lever(left) | 1 |
| E192 | MN30A0216 | クワイアソライ | Thread guide | 1 |
| E193 | M91116004 | ブラマイネジ | Screw 11/64(40)X8 | 1 |
| E194 | MF10A0105 | オサエクミタテ | Presser foot | 1 |
| E195 | M90939002 | ヒラネジ | Screw 9/64(40)X11 | 1 |
| E196 | MF10A0267 | オサエウメタル | Bushing for presser bar | 1 |
| E197 | MF11D0262 | オサエ棒 | Presser bar | 1 |
| E198 | MF30A0253 | オサエアケカム | Presser bar lifting cam | 1 |
| E199 | MF00A0252 | オサエアケ | Presser bar lifter | 1 |
| E200 | M91108001 | トメネジ | Set screw 11/64(40)X5.5 | 1 |
| E201 | M91506001 | トメネジ | Set screw 15/64(28)X7 | 1 |
| E202 | MF30A0265 | オサエ棒ウダキ | Presser bar lifting bracket | 1 |
| E203 | MF12B0259 | スプリング | Presser spring | 1 |
| E204 | M91131002 | ヒラネジ | Screw 11/64(40)X6.5 | 1 |
| E205 | MF30A0703 | アソライ棒 | Presser bar guide | 1 |
| E206 | M93220035 | クマミネジ | Thumb screw 1/2(28)X63 | 1 |
| E207 | M90400085 | O リング | O-ring(1AP4) | 1 |
| E208 | M93202047 | ナット | Nut | 1 |

F 給油機構
LUBRICATION MECHANISM

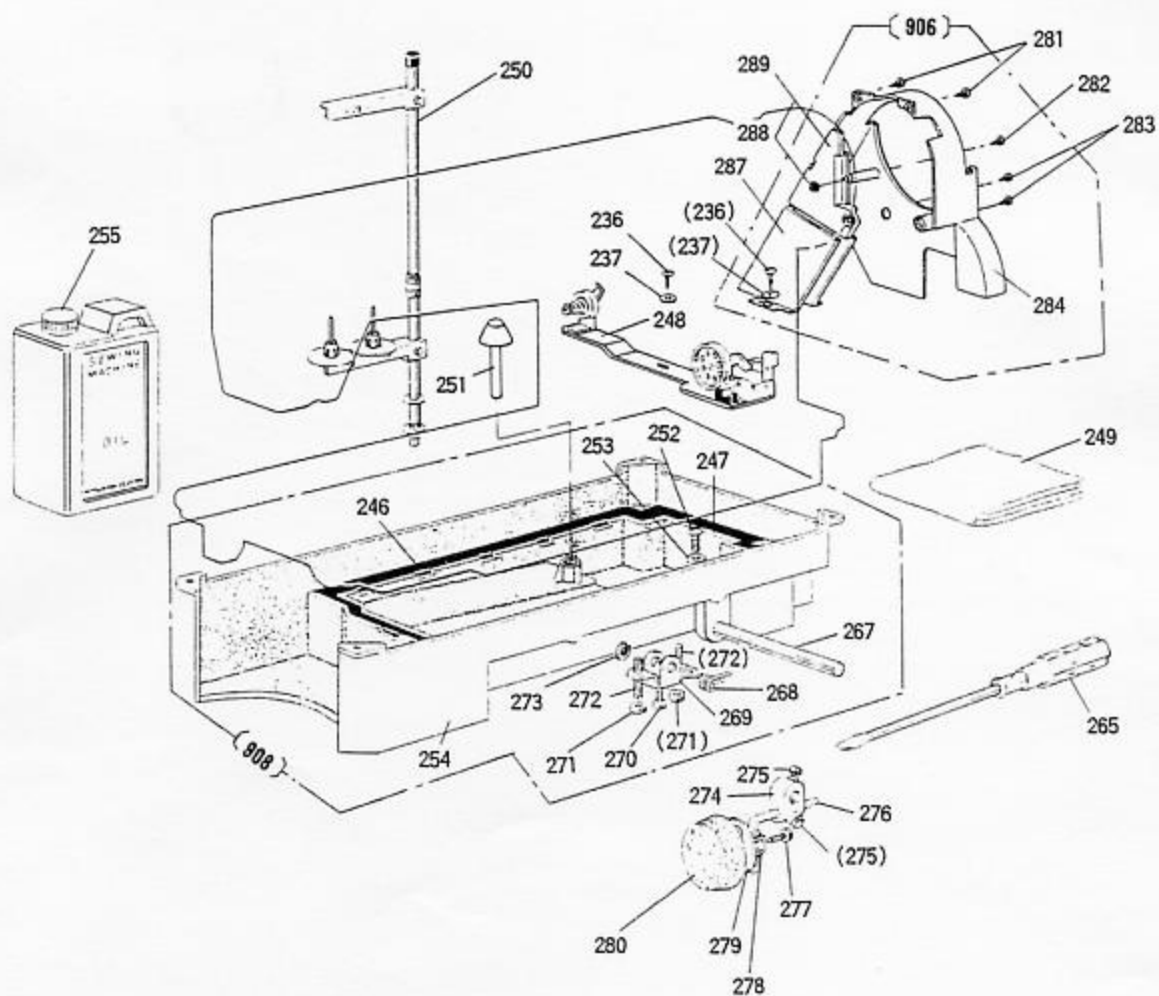
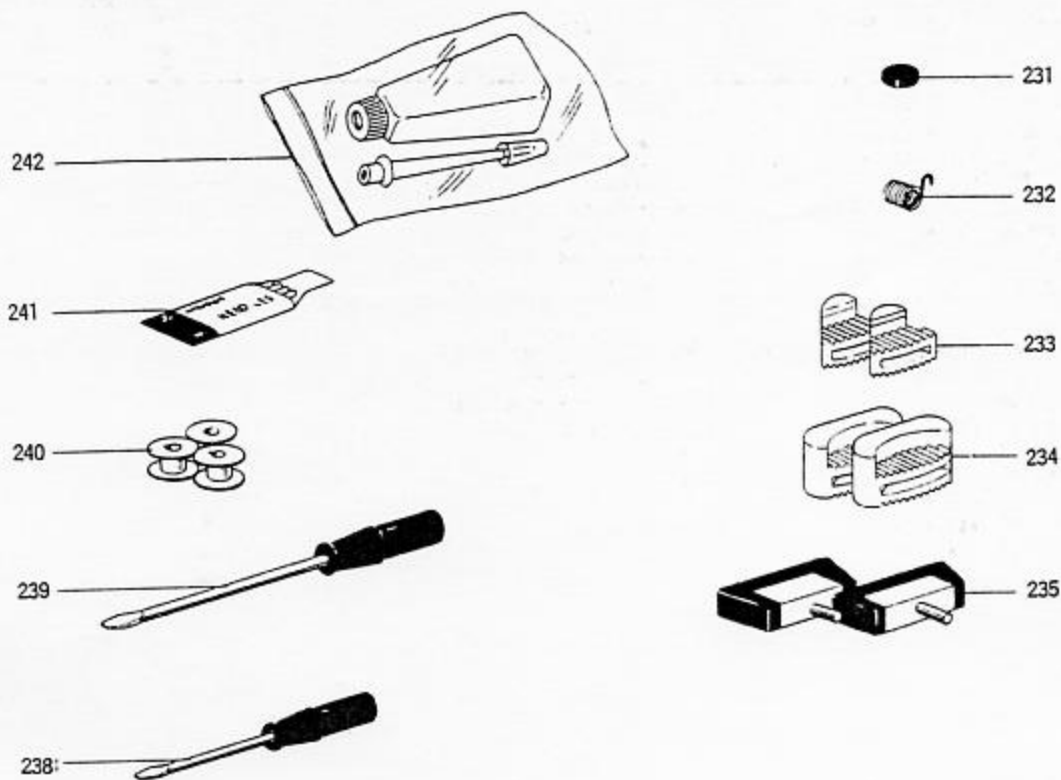


F 給油機構

LUBRICATION MECHANISM

| Fig. 変更 No. Mod. | 部品コード Parts.No. | 部品名 | Description | 使用個数 Amt. Reg. |
|---------------------|--------------------|--------------|-------------------------|-------------------|
| F209 | M90939002 | ヒラネジ | Screw 9/64(40)X11 | 2 |
| F210 | MF30E0601 | トリカケイタヒモクミタテ | Oil braid fitting plate | 1 |
| F211 | MF80A1688 | パイプウエクミタテ | Oil pipe for arm shaft | 1 |
| F212 | MF80A0783 | ポンプケース | Oil pump | 1 |
| F213 | M91135002 | ヒラネジ | Screw 11/64(40)X13 | 3 |
| F214 | MF10A0685 | ハネケルマ | Oil pump impeller | 1 |
| F215 | M90810002 | ヒラネジ | Screw 1/8(44)X6.5 | 1 |
| F216 | MF30A1601 | トリカケイタ | Oil pump fitting plate | 1 |
| F217 | MF30E0337 | アミクミタテ | Oil pump screen | 1 |
| F218 | MF30A0742 | フタ | Oil adjusting plate | 1 |
| F219 | M90307053 | バネシカキ | Spring washer M3.5 | 1 |
| F220 | M90820002 | ブラマイネジ | Screw 1/8(44)X13 | 3 |
| F221 | MF30E0688 | パイプシタクミタテ | Oil pipe for hook shaft | 1 |
| F222 | MF10E2148 | ヒモ | Oil braid(φ2.5X240) | 1 |
| F223 | MF30A0378 | ホルマクリップ 6 | Holder for oil braid 6 | 1 |
| F224 | MF10E2148 | ヒモ | Oil braid(φ2.5X330) | 1 |
| F225 | MF70A3731 | パイプ | Pipe | 1 |
| F226 | MF00A2780 | ホルダ | Holder | 1 |
| F227 | MF01E0731 | パイプクミタテ | Oil return pipe | 1 |

㊄ 付属品
ACCESSORIES



㊄ 付属品
ACCESSORIES

| Fig. 変更 No. Mod. | 部品コード Parts No. | 部品名 | Description | 使用個数 Amt. Reg. |
|---------------------|--------------------|-------------|----------------------------------|-------------------|
| G231 | M90701099 | OP-S シシヤカ | Magnet block for reservoir | 1 |
| G232 | MF10A0187 | イトリバネ | Thread take-up spring | 1 |
| G233 | MF01A1419 | ホウシシゴム | Vibration preventing rubber | 2 |
| G234 | MF01A0419 | ホウシシゴム | Vibration preventing rubber | 2 |
| G235 | MF30E0418 | チヨウバンセツト | Table hinge with rubber cushion | 2 |
| G236 | M90405041 | マルモクネジ | Screw 4.1X20 | 4 |
| G237 | M90515050 | ワシカネ | Washer M5 | 4 |
| G238 | MF33A0608 | ネジマワシ(シヨウ) | Screw driver (small) | 1 |
| G239 | MF33A1608 | ネジマワシ(チュウ) | Screw driver (middle) | 1 |
| G240 | MF10A0123 | ホビソ | Bobbin | 3 |
| G241 | MF30E0128 | ハリセツト | Needle set DBX1 #14 | 1 |
| G242 | MF60A0137 | アブラサシ | Oil with oiler | 1 |
| G246 | MF20A3691 | カスケツト | Gasket for oil reservoir (large) | 1 |
| G247 | MF20A2691 | カスケツト | Gasket for oil reservoir (small) | 1 |
| G248 | MN70E0190 | イトマキシカケ | Bobbin winder complete | 1 |
| G249 | MF33A0734 | ビニールカバー | Vinyl cover | 1 |
| G250 | MF33E0193 | イトウテグアイセツト | Thread stand complete | 1 |
| G251 | MF30A0578 | ヒザアゲヒソ | Knee lifter lifting rod | 1 |
| G252 | M92002002 | ヒラネジ | Oil drain screw 5/16 (28)X10 | 1 |
| G253 | M97001052 | トクシユワシカネ | Washer | 1 |
| G254 | MF30A0139 | アブラソウ | Oil reservoir | 1 |
| G255 | MF10E0149 | アブラソ | Oil can | 1 |
| G265 | MF00A0608 | ネジマワシ(ダイ) | Screw driver (large) | 1 |
| G267 | MF30A0723 | ヒザアゲシヤク | Knee lifter shaft | 1 |
| G268 | MF20A1729 | ヒネリバネ | Knee lifter spring | 1 |
| G269 | MF20A1724 | ヒザアゲレバ | Knee lifter | 1 |
| G270 | M91502002 | ヒラネジ | Screw 15/64(28)X12 | 1 |
| G271 | M91501045 | ナツト | Nut 15/64(28) | 2 |
| G272 | M91520001 | トメネジ | Set screw 15/64(28)X28 | 2 |
| G273 | M90521065 | Eカクメワ9 | E-type stop ling 9 | 1 |
| G274 | MF40A0784 | ツギテ | Knee lifter coupling joint | 1 |
| G275 | M92003031 | トクシユネジ | Bolt 5/16(18)X16 | 2 |
| G276 | MF20A0728 | ソウサネウ | Knee lifter shaft | 1 |
| G277 | M91510022 | ネジ | Bolt 15/64(28)X8 | 1 |
| G278 | MF30A0477 | ストップバ | Knee lifter plate stopper | 1 |
| G279 | MF40A0737 | ヒザアテイタ | Knee lifter plate | 1 |
| G280 | MF40A1737 | ヒザアテ | Knee lifter cover | 1 |
| G281 | M91109004 | ワシカネツキフライネジ | Screw 11/64(40)X8 | 2 |
| G282 | M91072004 | SW-PWツギナベネジ | Screw M4X0.7X14 | 1 |
| G283 | M91509004 | フライネジ | Screw 15/64(28)X8 | 2 |
| G284 | MF33A0776 | ベルトカバー | Belt cover | 1 |
| G287 | MF01A1776 | ベルトカバー | Belt cover | 1 |
| G288 | M91003045 | ナツト M4 | Nut M4 | 1 |
| G289 | MF30A0776 | ベルトカバー | Belt cover | 1 |
| G906 | MF33E0776 | ベルトカバーセツト | Belt cover complete | 1 |
| G908 | MF30E0139 | アブラソウセツト | Oil reservoir complete | 1 |